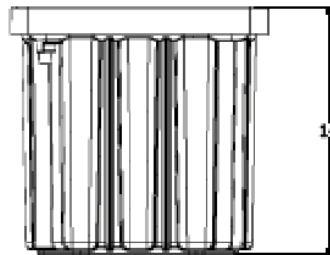
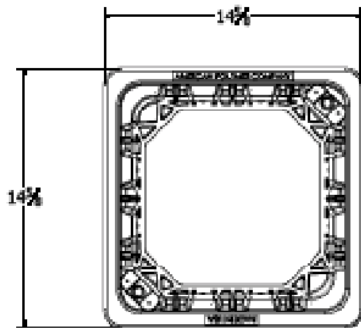
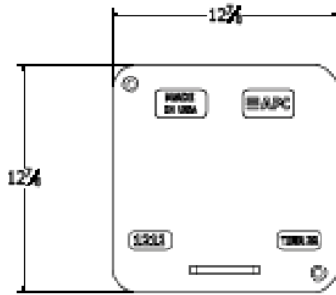


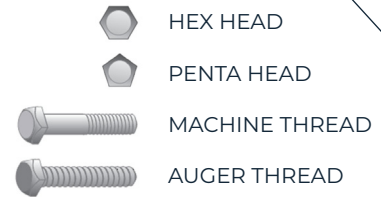
# 1212

MAXIMUS™ HD  
LIGHTWEIGHT COMPOSITE



All bodies are rated to ANSI/SCTE Tier 22. Overall performance for a unit—defined as a body and cover with bolts—is determined by the lowest-rated component.

### BOLT OPTIONS



### PRODUCT OPTIONS AND ACCESSORIES

- + Knockouts, Mouseholes, and Conduit Entries
- + Cable Racking
- + Dividers
- + EMS Locators
- + Specialty and Security Hardware
- + Grounding and Bonding Accessories

### MARKING OPTIONS

When it comes to marking plates, **your standard is our standard.** Custom markings and artwork are a breeze to customize your enclosure. Connect with our team for more information on markings.

PRODUCT TYPE	NOMINAL SIZE	PERFORMANCE	PART NUMBER	APPROXIMATE WEIGHT
Unit	12" x 12" x 12"	Tier 15	PH121212U15HAE	29 lbs.
Unit	12" x 12" x 12"	Tier 22	PH121212U2200HAE	30 lbs.
Box	12" x 12" x 12"	Tier 22	H121212B22	11 lbs.
Cover	12" x 12"	Tier 15	P1212XXC1500E	18 lbs.
Cover	12" x 12"	Tier 22	P1212XXC2200E	19 lbs.

Part numbers listed in the table are for standard boxes without accessories. Covers and unit part numbers are for marking plate required covers and units that have a blank 4" x 8" recess to accept a marking plate. Units listed above have hex head, auger thread hardware as standard.

APC PRODUCTS MEET OR EXCEED THE FOLLOWING STANDARDS AND GUIDELINES:

- + Build America, Buy America (BABA)
- + ANSI/SCTE 77 2023
- + Telcordia GR-902-CORE
- + Western Underground Committee Guide 3.6



The materials and information in this document have been prepared by American Polymer Company for informational purposes only. American Polymer Company reserves the right to make changes or improvements to the products described in this document at anytime without notice. Revision Date: 02/2024

© American Polymer Company

1-888-411-3048

apcunderground.com