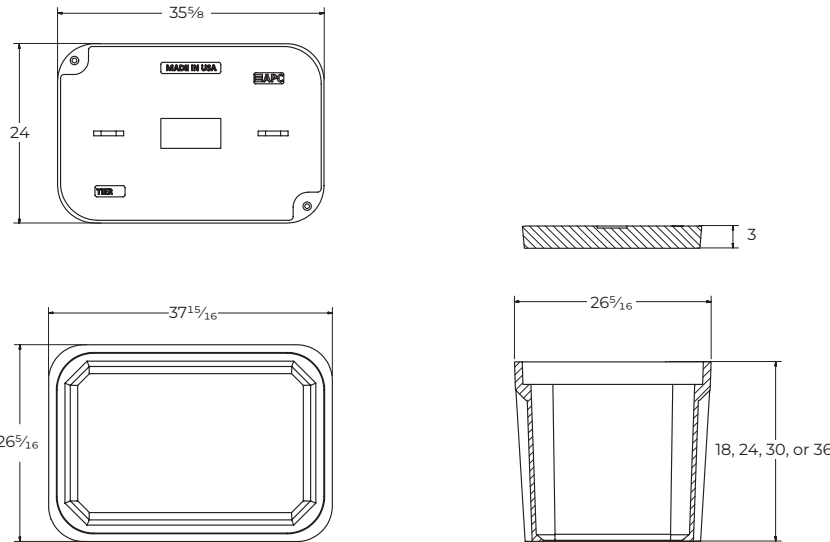


# 2436

LEGACY SERIES™  
POLYMER CONCRETE



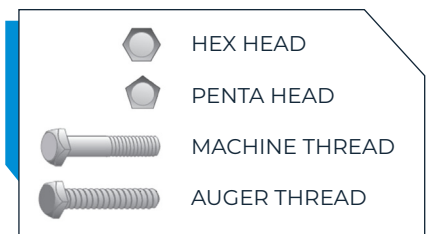
All bodies are rated to ANSI/SCTE Tier 22. Overall performance for a unit—defined as a body and cover with bolts—is determined by the lowest-rated component.

EXAMPLE: A unit using Tier 15 cover and a Tier 22 body, would be rated to Tier 15.

Lightweight Composite Covers available on 2436 family. Connect with us for more information.

PRODUCT TYPE	NOMINAL SIZE	PERFORMANCE	PART NUMBER	APPROXIMATE WEIGHT
Unit	24" x 36" x 18"	Tier 15	P243618U1500HSE	335 lbs.
Unit	24" x 36" x 18"	Tier 22	P243618U2200HSE	355 lbs.
Unit	24" x 36" x 24"	Tier 15	P243624U1500HSE	365 lbs.
Unit	24" x 36" x 24"	Tier 22	P243624U2200HSE	385 lbs.
Unit	24" x 36" x 30"	Tier 15	P243630U1500HSE	395 lbs.
Unit	24" x 36" x 30"	Tier 22	P243630U2200HSE	415 lbs.
Unit	24" x 36" x 36"	Tier 15	P243636U1500HSE	425 lbs.
Unit	24" x 36" x 36"	Tier 22	P243636U2200HSE	445 lbs.
Box	24" x 36" x 18"	Tier 22	P243618B22	165 lbs.
Box	24" x 36" x 24"	Tier 22	P243624B22	195 lbs.
Box	24" x 36" x 30"	Tier 22	P243630B22	225 lbs.
Box	24" x 36" x 36"	Tier 22	P243636B22	255 lbs.
Cover	24" x 36"	Tier 15	P2436XXC1500E	170 lbs.
Cover	24" x 36"	Tier 22	P2436XXC2200E	190 lbs.

### BOLT OPTIONS



### PRODUCT OPTIONS AND ACCESSORIES

- + Knockouts, Mouseholes, and Conduit Entries
- + Cable Racking
- + Dividers
- + EMS Locators
- + Specialty and Security Hardware
- + Grounding and Bonding Accessories

### MARKING OPTIONS

When it comes to marking plates, **your standard is our standard.** Custom markings and artwork are a breeze to customize your enclosure. Connect with our team for more information on markings.

APC PRODUCTS MEET OR EXCEED THE FOLLOWING STANDARDS AND GUIDELINES:

- + Build America, Buy America (BABA)
- + ANSI/SCTE 77 2023
- + Telcordia GR-902-CORE
- + Western Underground Committee Guide 3.6



The materials and information in this document have been prepared by American Polymer Company for informational purposes only. American Polymer Company reserves the right to make changes or improvements to the products described in this document at anytime without notice. Revision Date: 02/2024

© American Polymer Company

1-888-411-3048

apcunderground.com