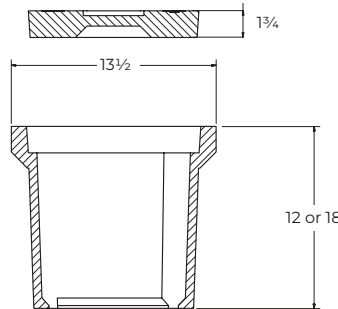
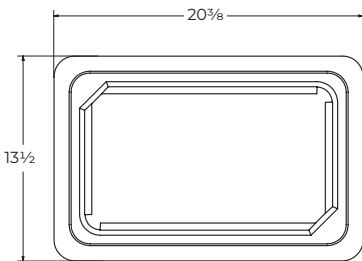
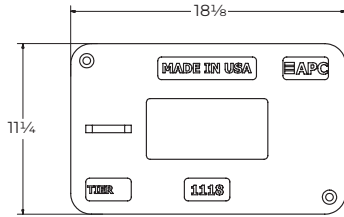


1118

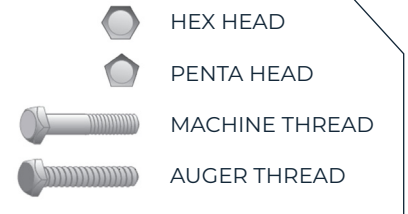
LEGACY SERIES™
POLYMER CONCRETE



All bodies are rated to ANSI/SCTE Tier 22. Overall performance for a unit—defined as a body and cover with bolts—is determined by the lowest-rated component.

EXAMPLE: A unit using Tier 15 cover and a Tier 22 body, would be rated to Tier 15.

BOLT OPTIONS



PRODUCT TYPE	NOMINAL SIZE	PERFORMANCE	PART NUMBER	APPROXIMATE WEIGHT
Unit	11" x 18" x 12"	Tier 15	P111812U1500HSE	65 lbs.
Unit	11" x 18" x 12"	Tier 22	P111812U2200HSE	72 lbs.
Unit	11" x 18" x 18"	Tier 15	P111818U1500HSE	82 lbs.
Unit	11" x 18" x 18"	Tier 22	P111818U2200HSE	89 lbs.
Box	11" x 18" x 12"	Tier 22	P111812B22	38 lbs.
Box	11" x 18" x 18"	Tier 22	P111818B22	55 lbs.
Cover	11" x 18"	Tier 15	P1118XXC1500E	27 lbs.
Cover	11" x 18"	Tier 22	P1118XXC2200E	34 lbs.

PRODUCT OPTIONS AND ACCESSORIES

- + Knockouts, Mouseholes, and Conduit Entries
- + Cable Racking
- + Dividers
- + EMS Locators
- + Specialty and Security Hardware
- + Grounding and Bonding Accessories

MARKING OPTIONS

When it comes to marking plates, **your standard is our standard.** Custom markings and artwork are a breeze to customize your enclosure. Connect with our team for more information on markings.

APC PRODUCTS MEET OR EXCEED THE FOLLOWING STANDARDS AND GUIDELINES:

- + Build America, Buy America (BABA)
- + ANSI/SCTE 77 2023
- + Telcordia GR-902-CORE
- + Western Underground Committee Guide 3.6



The materials and information in this document have been prepared by American Polymer Company for informational purposes only. American Polymer Company reserves the right to make changes or improvements to the products described in this document at anytime without notice. Revision Date: 02/2024

© American Polymer Company

1-888-411-3048

apcunderground.com